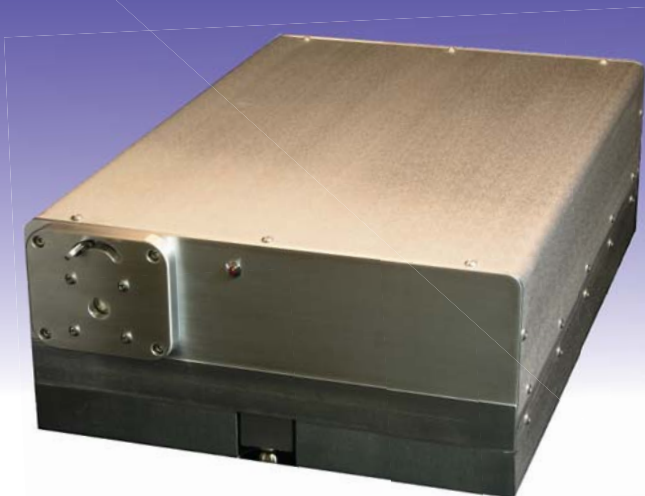


# JAVELIN SERIES

Thin pulse width, high repetition rate & peak power

Applications :

- Research
- Microscopy
- Spectroscopy
- Fluorescence
- ITO Removal
- Cold Marking
- Micro-Machining
- Molecular Uncaging
- Bio-Particle Detection



DPSS Lasers Inc. introduces the low cost Javelin Series. These lasers have been designed for OEM and research applications. All lasers feature the best in diode pumped, solid state laser technology. High repetition rates (20-40 kHz), with short pulse widths provide high peak power levels with stable TEM<sub>00</sub> operation. All lasers feature active power control.

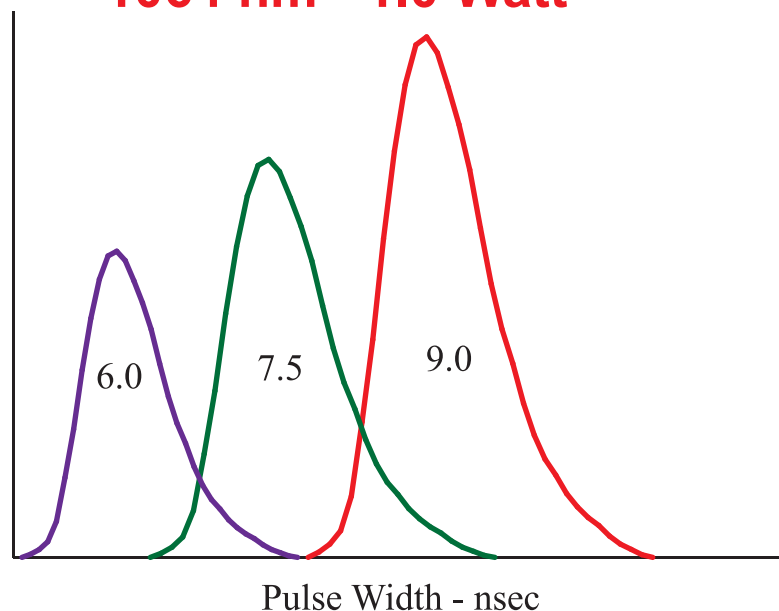
**355 nm - 100mW**

**532 nm - 500 mW**

**1064 nm - 1.0 Watt**

Features:

- Low Cost
- Power Control
- Pulse Selectable
- Small "Thin" Size
- High Peak Powers
- Stable, TEM<sub>00</sub> Output
- Q-switch Operation 20 - 40 kHz
- Short Pulse Widths (< 10 nsec)



# Specifications

Model	Wavelength	Avg. Power	Nominal Pulse Width	Peak Power Per Pulse	Pulse Energy
J 355-100	355 nm	100 mW	6.0 nsec	> 500 Watts	3.3 uJ
J 532-500	532 nm	500 mW	7.5 nsec	> 2000 Watts	16.6 uJ
J 1064-1000	1064 nm	1.0 Watt	9.0 nsec	> 3500 Watts	33 uJ
J 1064-CW	1064 nm	1.0 Watt	CW	1.0 Watt	NA

## Common Specifications

### Performance:

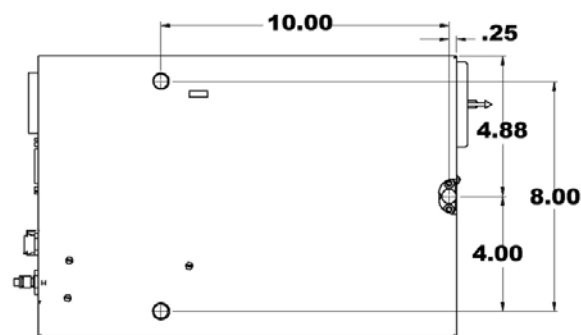
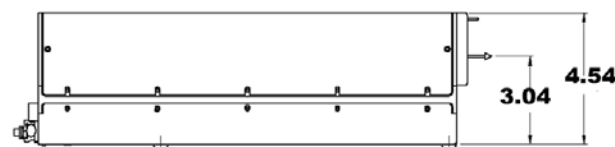
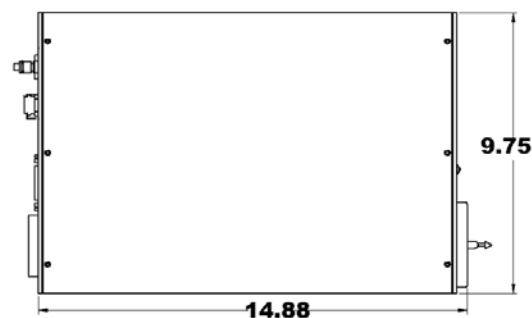
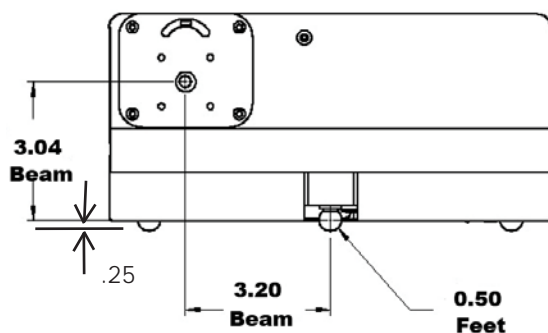
Transverse Mode	TEM <sub>00</sub> ( $M^2 < 1.35$ )
User Adjustable Rep Rate	20 - 40 kHz
Power Control	Yes, 1 - 100%
Beam Diameter (1/e <sup>2</sup> )	1.0 mm
Polarization: Linear	Vertical (355 & 1064 nm) Horizontal (532 nm)

### Electrical:

Input Voltage	90 - 250 VAC (50-60 Hz)
Power Consumption	< 500 Watts
Ambient Operating Temp.	18 - 26 C
Ambient Temp. (Optional Chiller)	15 - 40 C

### Physical:

Laser Head Dim. (LWH)	14.5 x 9.75 x 4.5 inch
Laser Head Weight	26 lbs.
Laser Power Supply Dim. (LWH)	19 x 15 x 6 inch
Power Supply Weight	24 lbs.
Heat Exchanger (LWH)	15.75 x 8 x 8.5 inch
Heat Exchanger Weight	22 lbs.



Dimensions: Inches

